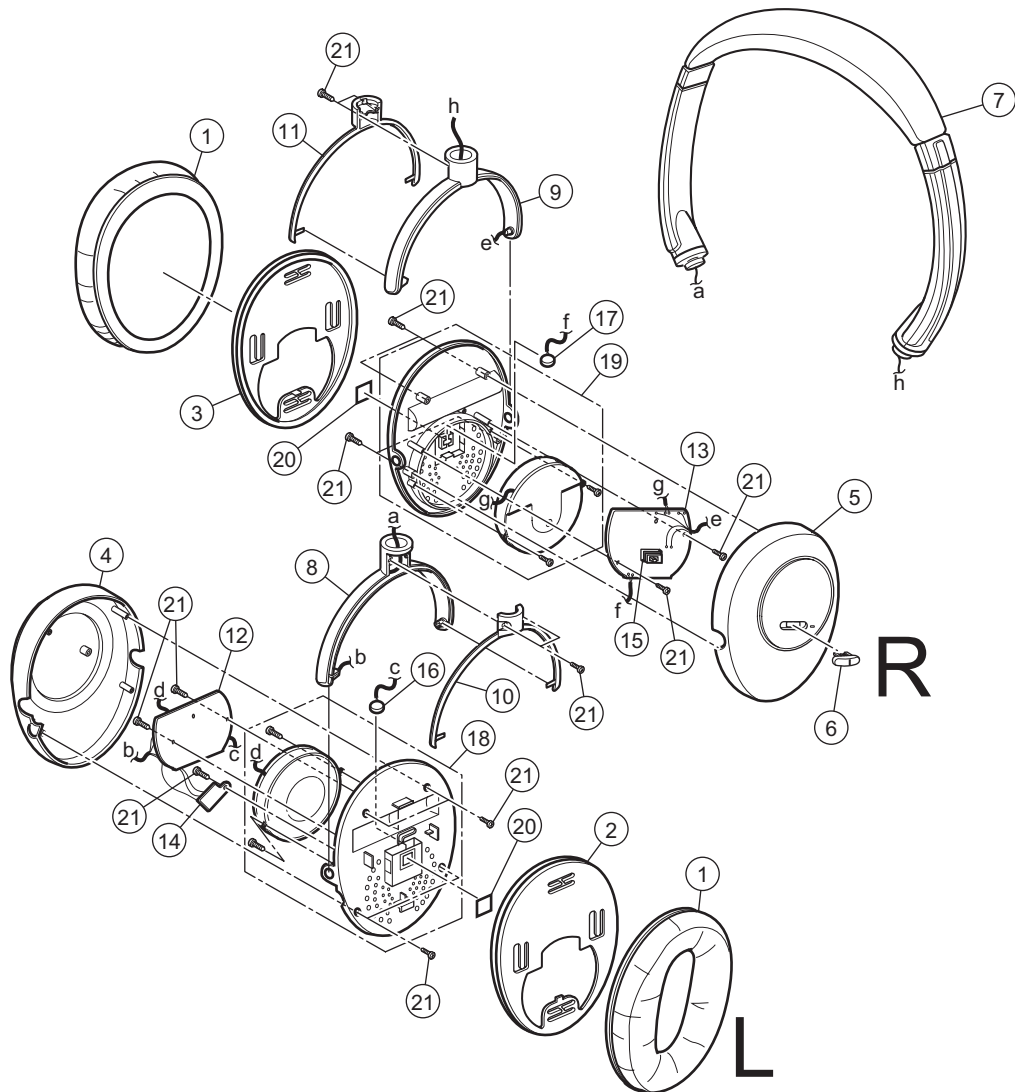


Exploded view of general assembly and parts list

Block No.M1MM



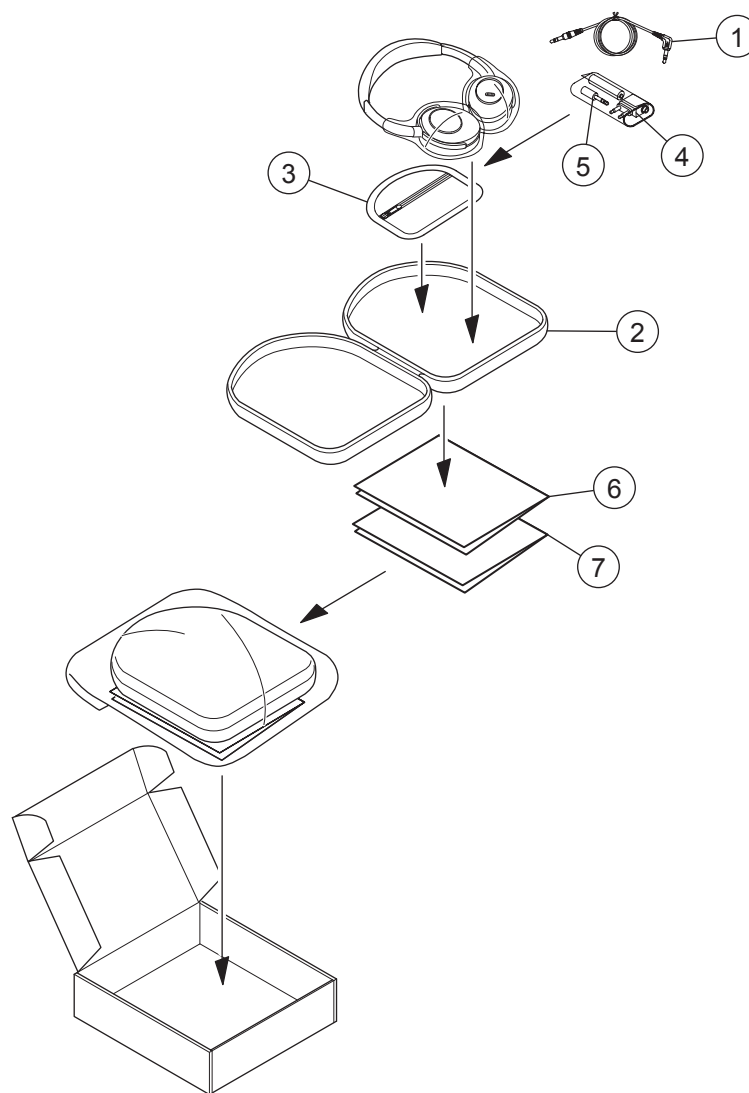
Parts List

Block No. [M][1][M][M]

△Symbol No.	Part No.	Part Name	Description	Local
1	J34899-001	EAR PAD (L/R)	(x2)	
2	J34900-001	EAR PAD HOLDER(L)	with urethane ring	
3	J34901-001	EAR PAD HOLDER(R)	with urethane ring	
4	J34902-001	HOUSING(L)	with aluminium ornament	
5	J34903-001	HOUSING(R)	with aluminium ornament and LED lens	
6	J34904-001	POWER SW KNOB	with nonwoven fabric	
7	J34905-001	HEAD BAND ASSY		
8	J34872-001	HANGAR(L)		
9	J34873-001	HANGAR(R)		
10	J34874-001	HANGAR COVER(L)		
11	J34875-001	HANGAR COVER(R)		
12	J34906-001	Lch PCB ASSY		
13	J34907-001	Rch PCB ASSY		
14	J34908-001	JACK PCB ASSY		
15	J34909-001	ON-OFF SLIDE SW		
16	J34910-001	Microphone(L)	with cord	
17	J34911-001	Microphone(R)	with cord	
18	J34912-001	SP unit&affle plate(L)		
19	J34913-001	SP unit&affle plate(R)		
20	J34914-001	Seal	(x2)	
21	J34920-001	Screw	(x17)	

Packing materials and accessories parts list

Block No.M2MM



Packing and accessories

Block No. [M][2][M][M]

△ Symbol No.	Part No.	Part Name	Description	Local
1	J34915-001	Cord	1.2m	
2	J34916-001	Carrying Case		
3	J34917-001	Inner poach		
4	J47391-001	Dual plug adapter		
5	J34919-001	Stereo plug adapter		
6	LNT0087-001A	instruction J/C.ver		
7	J34921-001	instruction E.ver	LNT0088-001A,LNT0089-001A	